

Fitting Guide

Somfy WireFree

Li-Ion Solar Panel

*Made For Your Windows,
Powered For Your Convenience.*

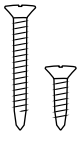
The Installation Of This Product Should Be Conducted By Someone Competent In DIY.

Fitting Guide

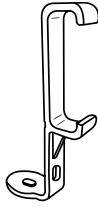
In The Box	1
Installing Your Solar Panel	2-3
Connect Your Solar Panel	4
Safety Information	5



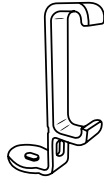
In The Box



Screws



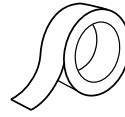
Large bracket



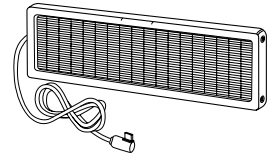
Small bracket



Alcohol Wipe



Double Sided Adhesive Strips



Solar Panel



Fitting Hardware



Pencil



Metal tape measure



Drill



Drill bit



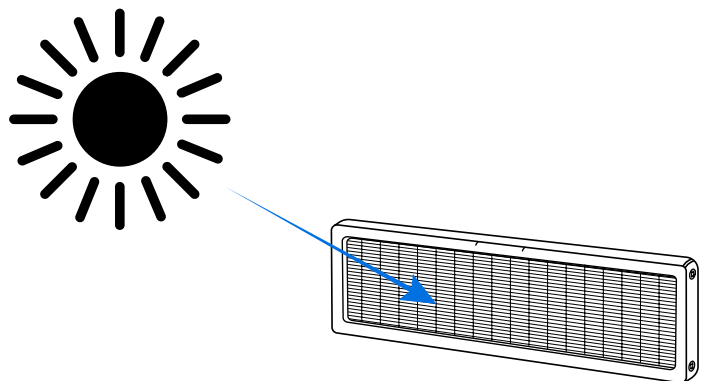
Philips screwdriver



Before You Begin

Before You Begin

This solar panel can extend your motor's battery life from approximately 6-12 months to 3-5 years, depending on sunlight exposure. For best results, install it where it will receive direct sunlight.



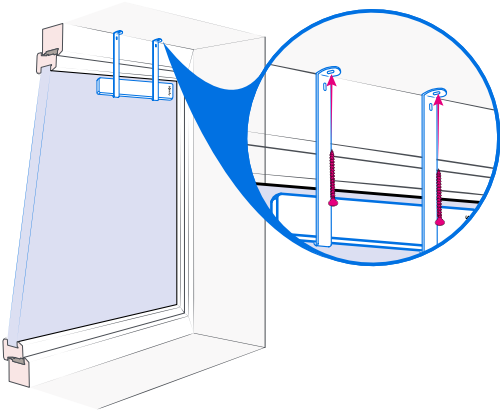
1

Choose The Mounting Method

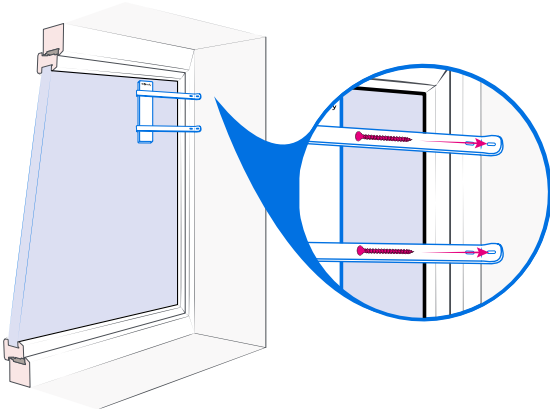
You can install the solar panel in one of three ways:

- 1 **Wall Mounting:** Use the brackets provided to fix the panel securely to the wall or window frame.
- 2 **Headrail Mounting:** Use the smaller brackets provided to fix the panel securely to the blind's headrail.
- 3 **Glass Mounting:** Use double-sided adhesive tape supplied to attach the panel directly to the window glass.

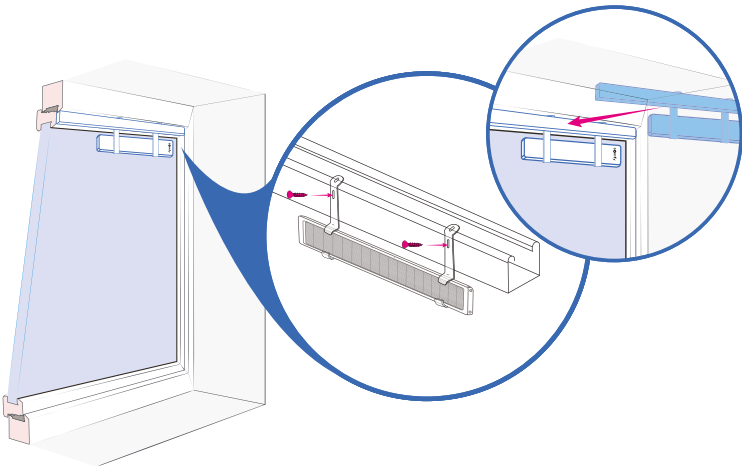
In all cases, make sure the panel is clearly visible from outside to maximise sunlight exposure and charging efficiency.



1 Wall Mount Top Fix



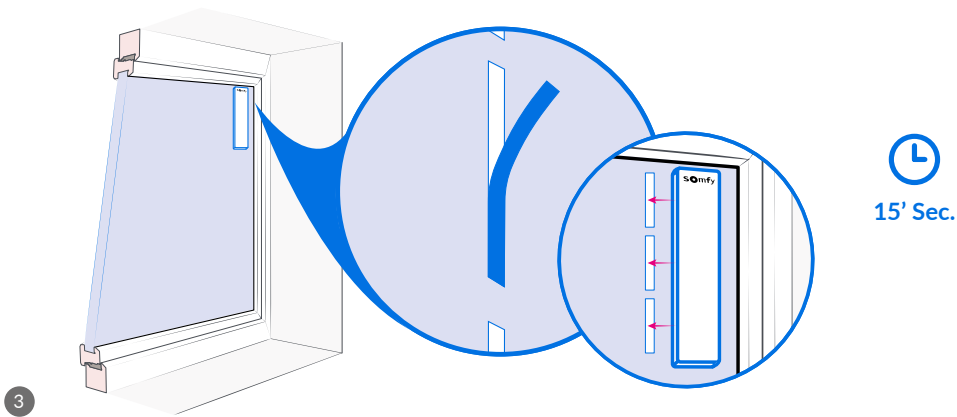
Wall Mount Face Fix



2 Headrail Mount

Choose The Mounting Method

- 3 Glass Mounting:** Use double-sided adhesive tape supplied to attach the panel directly to the window glass.

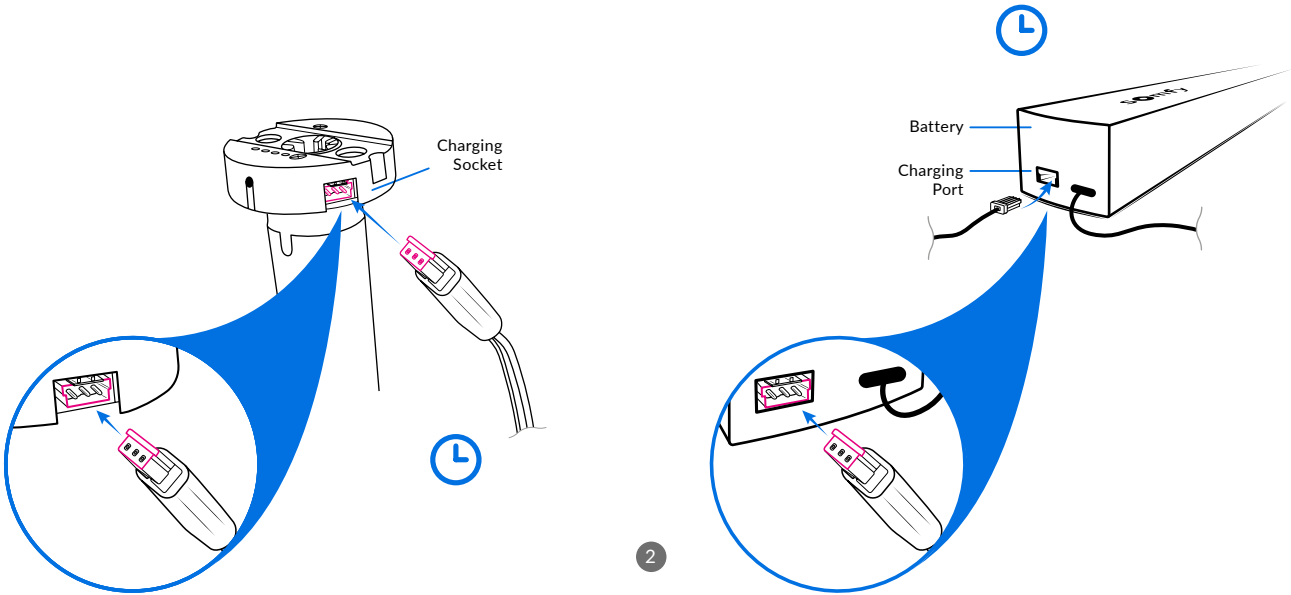


Glass Mount - (Attach the solar panel either vertically or horizontally to your window to best suit your needs). Peel off and stick one side of the double sided adhesive strips to the solar panel. Then peel off the other side of the double sided adhesive strips and press the solar panel onto you chosen location for a minimum of 15 seconds.

2

**Connect
The Solar Panel**

- 1 For Roller Blinds, Double Roller Blinds or Day & Night Double Blinds, plug the solar panel cable directly into the motor.
- 2 For Roman Blinds or Wooden Blinds, connect the cable to the external battery pack.

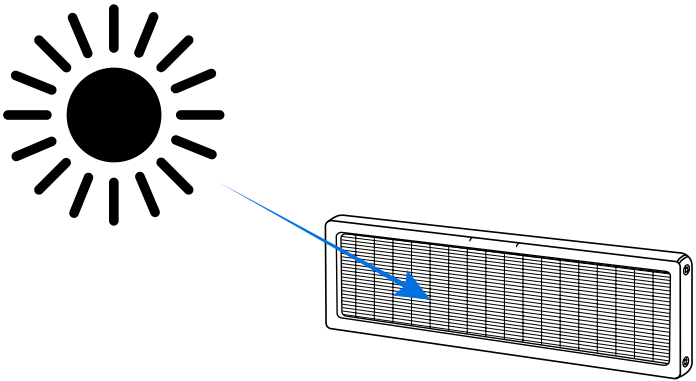


3

Final Checks

Ensure the panel is firmly secured, and the cable connection is tight. Once installed, your blinds will recharge automatically using solar energy, providing effortless, sustainable power.

Note: The Somfy WireFree Li-Ion Solar Panel is not compatible with curtain tracks.





Safety Information

Please read and follow all safety instructions carefully before installation and use.

- **Children's Safety:** Never allow children to play with the blind or its control device. Keep remote controls and switches out of reach of children at all times.
- **Safe Installation:** Ensure the product is installed securely following these fitting instructions. The control switch (if used) must be positioned within sight of the blind's movement but away from moving parts and at a height compliant with national safety regulations (ideally below 1.3m where possible).
- **Do Not Modify:** Do not alter the product's design, wiring, or configuration without consulting the manufacturer or authorised representative. Modifications may compromise safety and invalidate your warranty.
- **Manual Release (where applicable):** Take care when operating any manual release feature, particularly if the blind or curtain is raised, as it may lower rapidly.
- **Inspection & Maintenance:** Regularly check the blind, power cables, and controls for signs of wear or damage. If damage is found, stop using the product and contact your retailer or installer for advice.
- **Electrical Safety:** Always disconnect the product from the power supply before carrying out cleaning, maintenance, or inspection of electrical parts.
- **Operating Out of View:** If operating your blind or curtain remotely without a direct line of sight, ensure no one is in the area during movement - particularly during cleaning or maintenance near windows or walls.
- **Noise Levels:** The noise emission level of this powered blind or curtain track is ≤ 70 dB(A), which is below the level considered hazardous to hearing.
- **Retain for Reference:** Keep these instructions for future reference and share them with anyone who may operate or maintain the pro.