

Roller Blind Angled-Bay Measuring Guide

1

Please decide if you will need to top-fix or face-fix the Roller Blinds. The brackets protrude by 50mm when top-fixed or 70mm when face-fixed. Measure in millimeters how far out from the window any vents or handles protrude. Add together these two numbers and make a note. This is the measurement you will use in the next step.

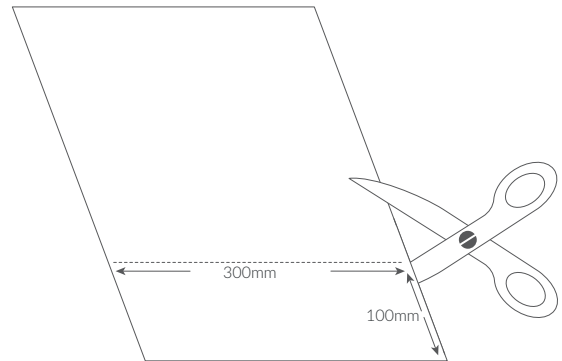
You will need:

- Metal Tape Measure
- Pencil
- Paper
- Scissors

2

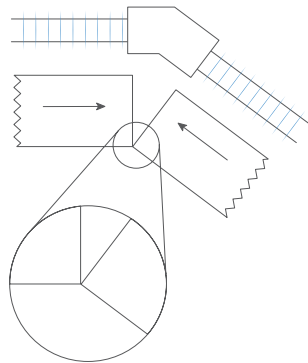
Cut two pieces of paper into strips that are 300mm long and as wide as your previous measurement. These two pieces of paper will be used to work out how your blinds will meet each other at the corners.

For example, if you don't have any handles to avoid, and face-fixed your depth would be 70mm. Assuming face-fixed with a 30mm handle your paper would be 100mm deep. (70mm+30mm).



3

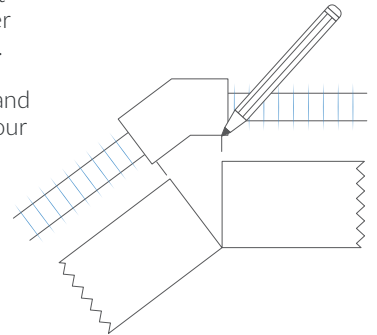
Place these two papers individually on the windowsills either side of one of your bay windows' corners, making sure the edge of the paper is against the window frame. Slide the two pieces of paper towards each other along the windowsills until the two corners of the papers meet up



4

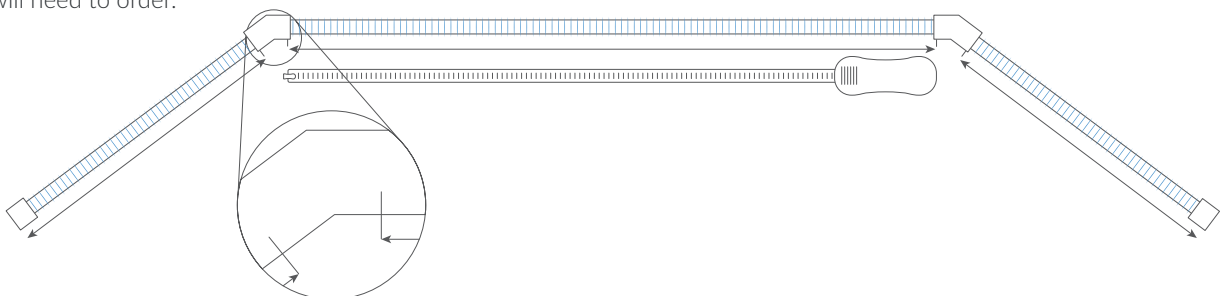
Using a pencil, make a small mark on the windowsill at the point where the paper meets the window frame.

Repeat steps two, three and four for each corner of your bay window.



5

Measure between each set of marks you have made and write the measurements down. These are the widths of the blinds you will need to order.



6

To establish your drop, measure from where the top of the blind will sit, down to where you want the blind to stop (normally the windowsill). With the measurements for the widths and the drops of your blinds, all you need to do now is enter them into our site, and order them with an 'Exact' measurement type and the 'Bracket to Bracket' option selected.