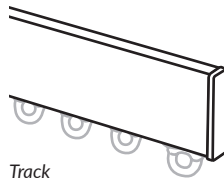
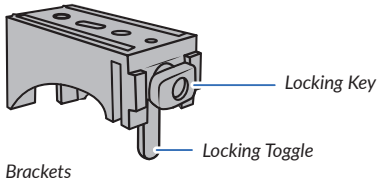




## FITTING COMPONENTS



Track Connector  
(Only supplied  
with tracks over  
280cm)



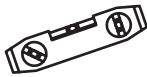
Divider Cover Clip  
(Only supplied  
with curved  
tracks, over  
280cm)



## REQUIRED TOOLS & MATERIALS (Not Supplied)



Metal tape  
measure



Spirit level



Pencil



Drill



Fixing Screws and  
Wall Plugs



Philips  
screwdriver



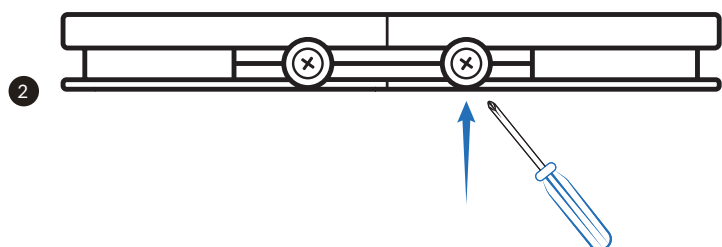
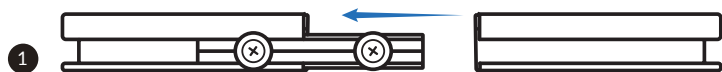
## Tracks Over 280cm

Tracks over 280cm are provided in two pieces with a connector for easy assembly.

If your track has been supplied as a single piece, please proceed to the next step.

**NOTE:**  
Only applicable  
to tracks wider  
than 280cm.

- 1 Simply slide the loose track onto the connector until it's flush with the other side of the track.
- 2 Tighten the loose screw until it's secure.



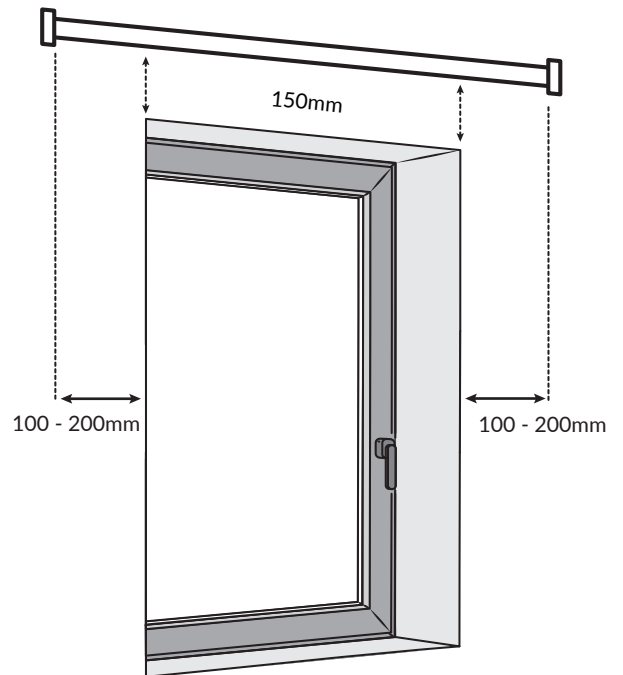
**NOTE**

Curved tracks 280cm wide or over are supplied with a divider-cover clip for a clean finish.

# 1

## Positioning Your Track

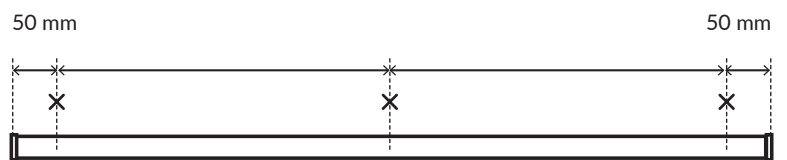
If securing your track to the wall, we advise positioning it at least 150mm above the window or recess.



# 2

## Spacing Your Brackets

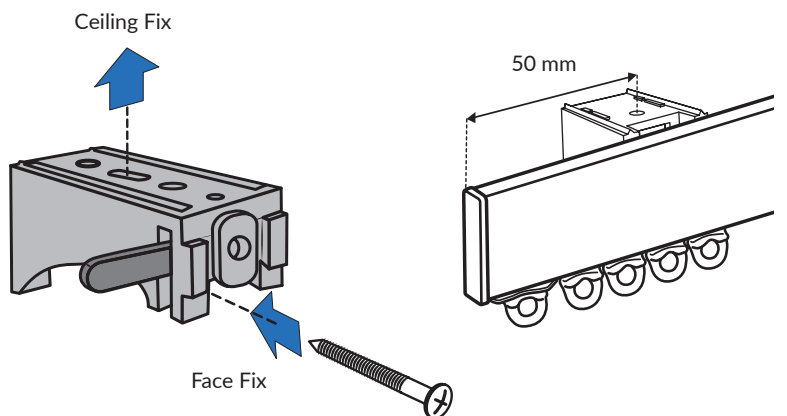
Mark out the positions for your brackets, ensuring an even spacing between each one to ensure a secure installation.



# 3

## Fixing Your Brackets

Use your screws and wall plugs to affix your brackets securely to the wall or ceiling in the marked positions.



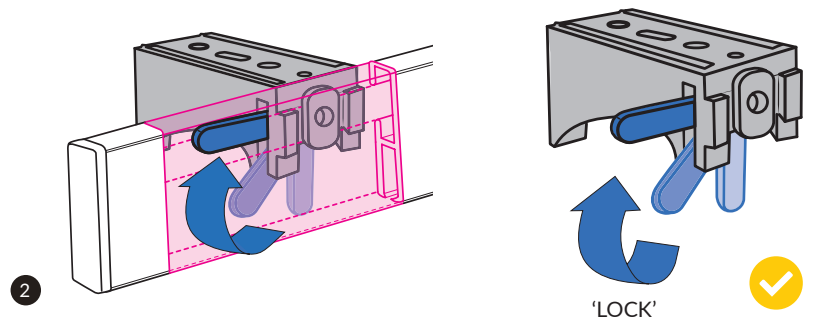
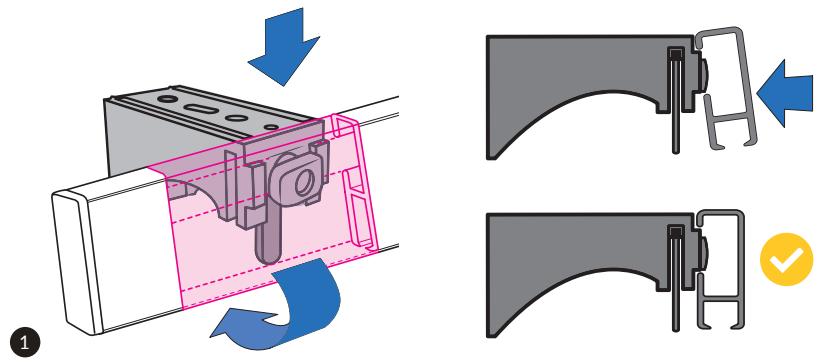
## 4

## Click & Lock Into Position

- 1 Before attaching the track to the bracket, ensure the bracket's toggle is in the vertical 'Unlocked' position. Then, position the track at a 30-45 degree angle above the brackets. Push the track forward and down until it is flush with the bracket's 'Locking Key'.

- 2 Finally push the toggle into its horizontal "Locked" position.

**Repeat this process for each bracket, ensuring all are locked into place**



## 5

## Your Track Is Ready

The track is now ready for your curtains to be hung.

