



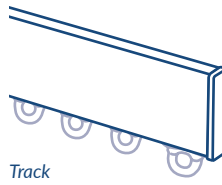
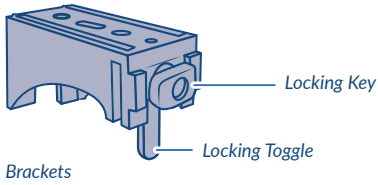
Surge Metal Curtain Track



Wilson's Blinds
A PRECISE FIT EVERYTIME



FITTING COMPONENTS



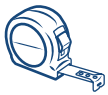
Track Connector
(Only supplied
with tracks over
280cm)



Divider Cover Clip
(Only supplied
with curved
tracks, over
280cm)



REQUIRED TOOLS & MATERIALS (Not Supplied)



Metal tape
measure



Spirit level



Pencil



Drill



Fixing Screws and
Wall Plugs



Philips
screwdriver



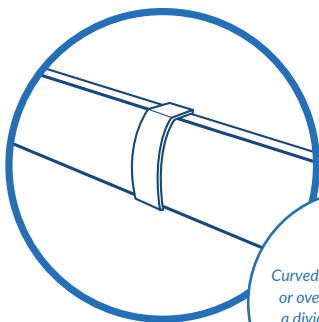
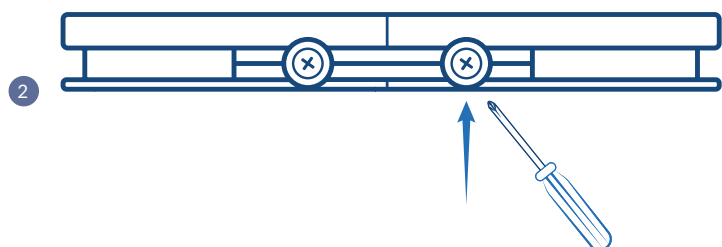
Tracks Over 280cm

Tracks over 280cm are provided in two pieces with a connector for easy assembly.

If your track has been supplied as a single piece, please proceed to the next step.

NOTE:
Only applicable
to tracks wider
than 280cm.

- 1 Simply slide the loose track onto the connector until it's flush with the other side of the track.
- 2 Tighten the loose screw until it's secure.



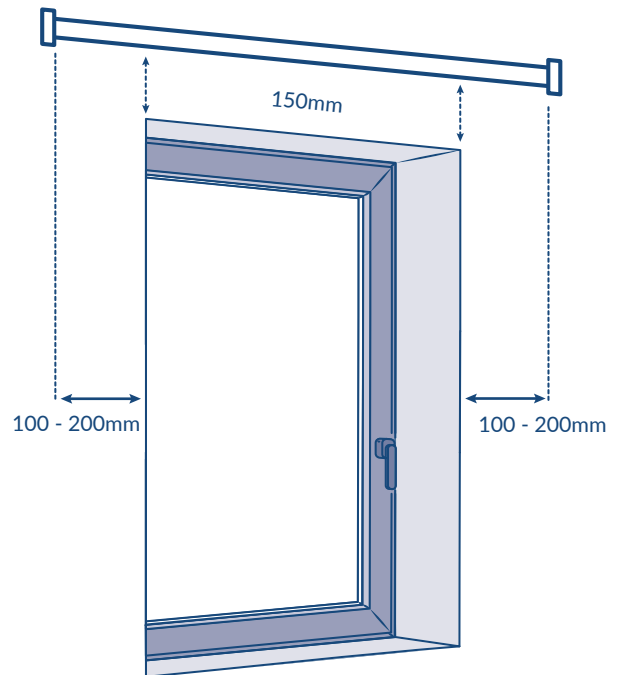
NOTE

Curved tracks 280cm wide or over are supplied with a divider-cover clip for a clean finish.

1

Positioning Your Track

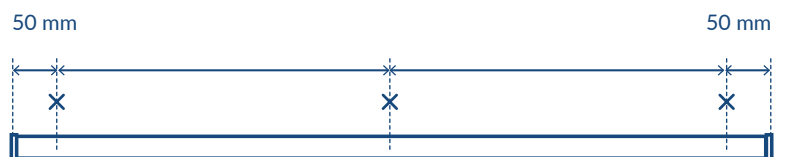
If securing your track to the wall, we advise positioning it at least 150mm above the window or recess.



2

Spacing Your Brackets

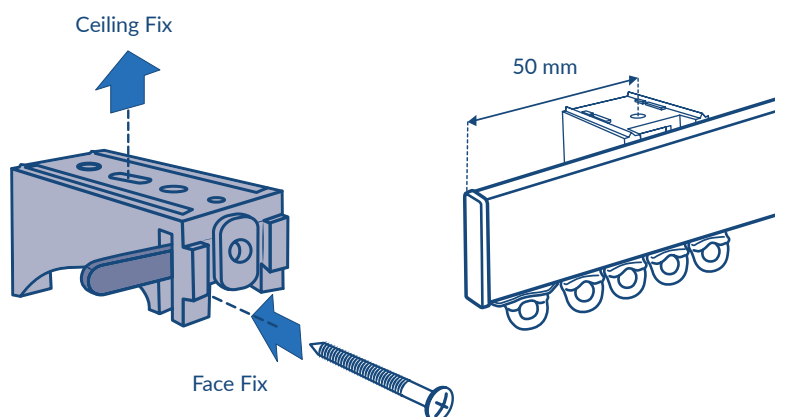
Mark out the positions for your brackets, ensuring an even spacing between each one to ensure a secure installation.



3

Fixing Your Brackets

Use your screws and wall plugs to affix your brackets securely to the wall or ceiling in the marked positions.



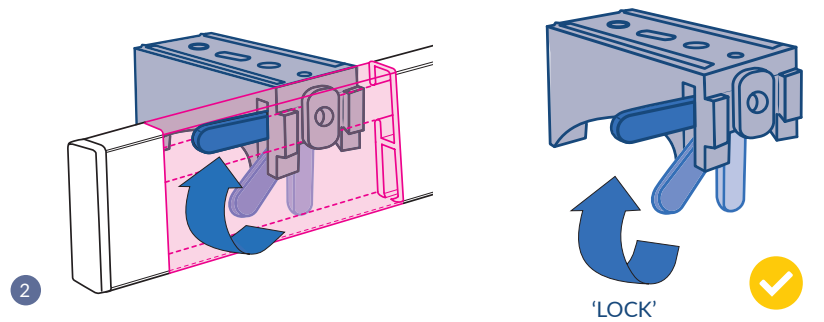
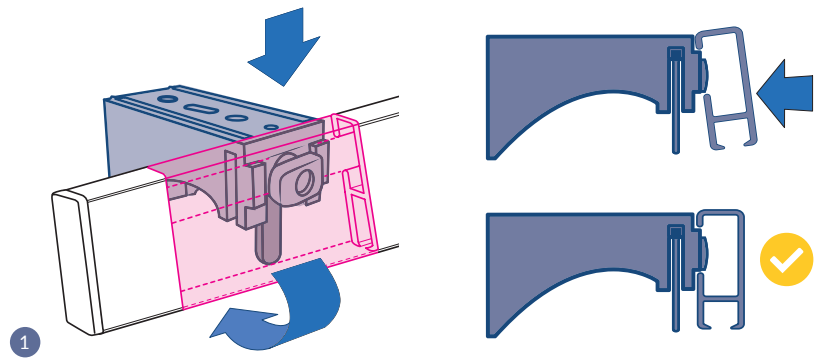
4

Click & Lock Into Position

1 Before attaching the track to the bracket, ensure the bracket's toggle is in the vertical 'Unlocked' position. Then, position the track at a 30-45 degree angle above the brackets. Push the track forward and down until it is flush with the bracket's 'Locking Key'.

2 Finally push the toggle into its horizontal "Locked" position.

Repeat this process for each bracket, ensuring all are locked into place



5

Your Track Is Ready

The track is now ready for your curtains to be hung.

