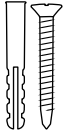
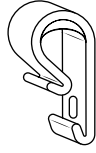




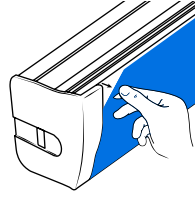
FITTING COMPONENTS



Screws
Rawl plugs



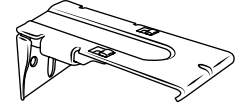
P-Clip



Blind



Top Fit Bracket*



Face Fit Bracket*

NOTE
Do not free the blind with a knife or any object that may cause damage to the fabric.

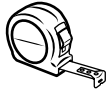
*Top fix OR face fix brackets supplied based on purchase selection.



REQUIRED TOOLS



Pencil



Metal tape measure



Drill



Drill bit



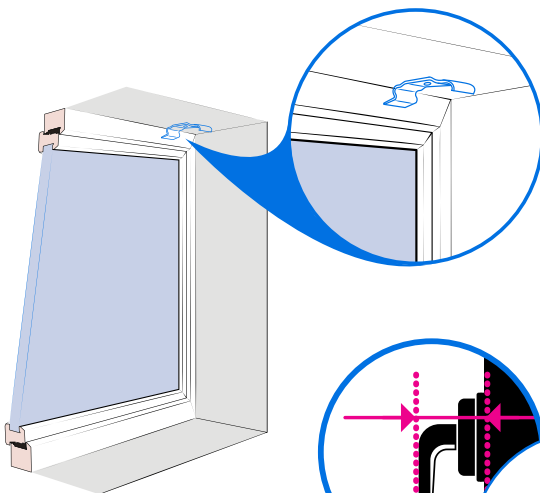
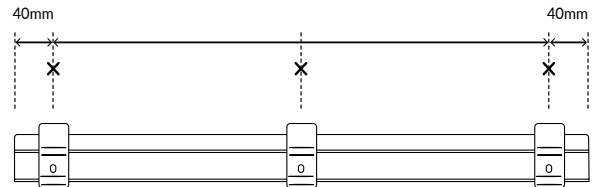
Phillips screwdriver



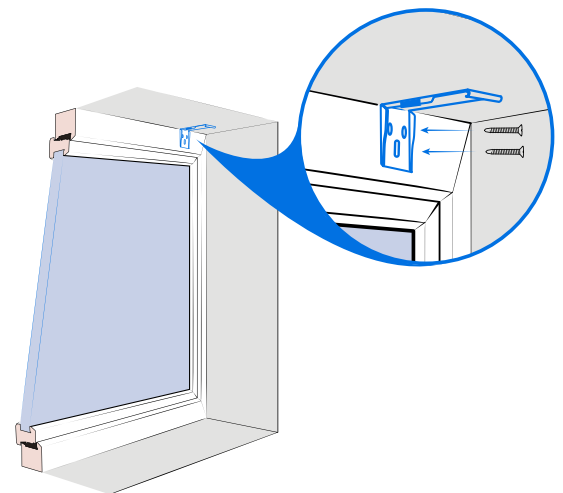
1 Installing The Brackets

We have sent brackets to allow you to top fix or face fix your blind depending on your choice at the time of purchase. When positioning the brackets allow room for the blind to clear any obstacles such as door or window handles when deployed.

Fix brackets approximately 40mm from each end of the blind. Intermediate brackets should then be spaced evenly between these.



Top Fix Bracket



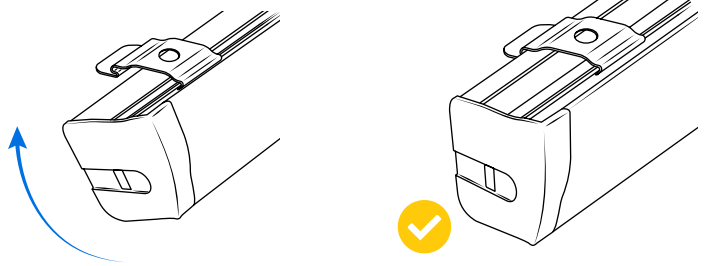
Face Fix Bracket

NOTE
Remember to allow room for the blind to clear any obstacles such as door or window handles when deployed.

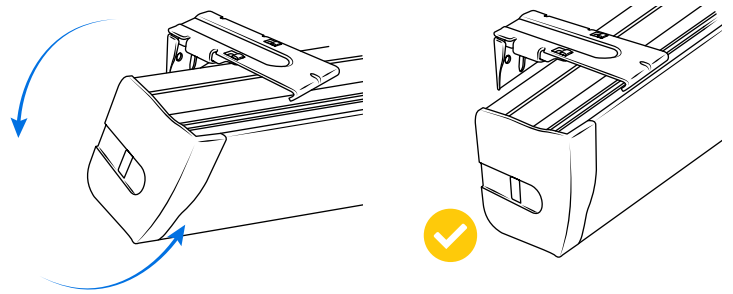
Fitting The Headrail To The Brackets

The track should be fitted into the brackets. Hook the front of the mount onto the headrail (as shown in the illustrations) and then push the back of the headrail towards the backside of the mount to be flush with the window frame.

If done correctly you will hear the headrail snap into place.



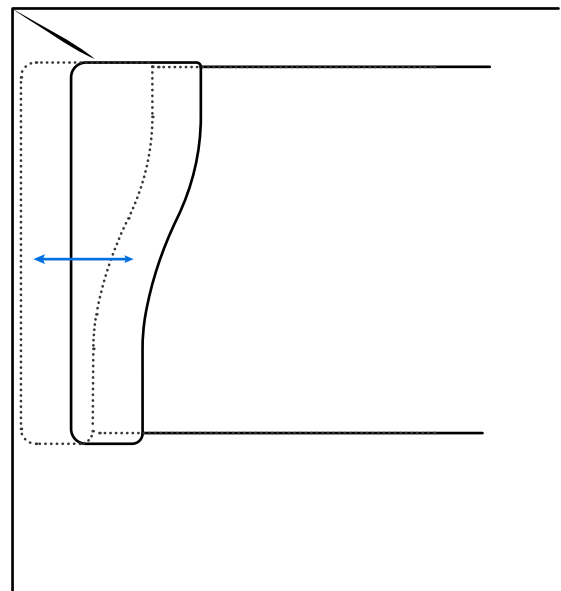
Top Fix Bracket



Face Fix Bracket

Adjusting The Placement Of The End Cap

Once the day & night blind has been attached to the mount on the wall, to get the perfect finish, the end cap will be able to move out 10mm to perfectly fit the recess space between the wall and the blind.



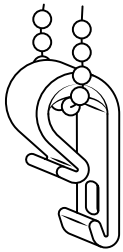
Operating Your Blind

Once installed, use the operating chain at the side to raise and lower your blind.

P-Clip Installation

The device must be installed at maximum distance possible from the control mechanism to prevent the looped cord/chain from becoming slack.

1. Ensure the control chain is inside the P-Clip.
2. Ensure the chain is taut and that the P-Clip is at the bottom of the loop and that the chains are able to manoeuvre properly.
3. Screw the tensioning device to a wall adjacent to the blind ensuring that the chain remains taut. The chain will be held permanently taut and under constant tension.



WARNING

Young children can be strangled by loops in pull cords, chains, tapes, and inner cords that operate the product.

- To avoid strangulation and entanglement, keep cords out of the reach of young children.
- Cords may become wrapped around a child's neck.
- Move beds, cots and furniture away from window covering cords. Do not tie cords together.
- Make sure cords do not twist and create a loop.

The assembly and installation of this product can be completed by non-professionals, in accordance with current trade and safety standards. Please consult a professional if any doubt exists.

