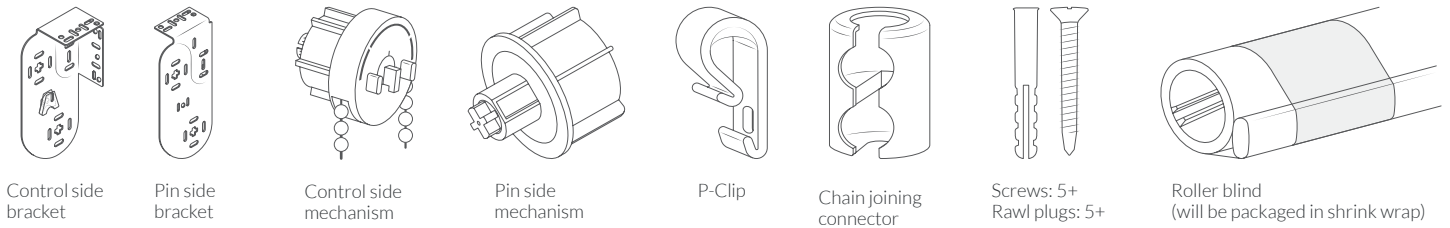


## DOUBLE ROLLER BLIND FITTING INSTRUCTIONS

### FITTING COMPONENTS



### FITTING HARDWARE



### WARNING

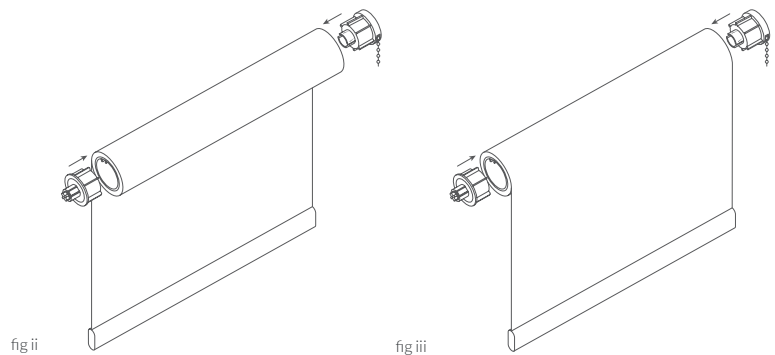
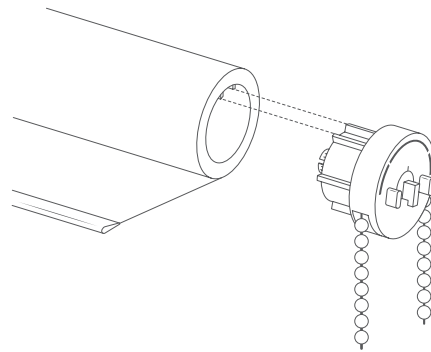
Do not free the roller blind with a knife or any object that may cause damage to the fabric.

## 1 ASSEMBLING THE BLINDS

Your new double roller blind is made up of two separate rollers - an opaque blackout fabric and a see-through voile - which are each made up of three different components: the fabric roll, control mechanism (including chain) and pin side mechanism. These are illustrated at the top of this guide.

Take the blackout roller and hold (fig i) it so that the fabric is hanging over the front of the roll. Line up the control (fig ii) side mechanism with the end of the roll you wish the chain to be on, making sure the cut-out section on the inside of the control mechanism matches up with one of the two metal ribs on the inside of the roll. Insert the mechanism into the roll. Repeat this on the other end with the pin mechanism, making sure the pin is facing outwards.

Now take the voile roller and make sure the fabric is hanging down the back of the roll (fig iii). Repeat the process as above. You will now have two assembled roller blinds.

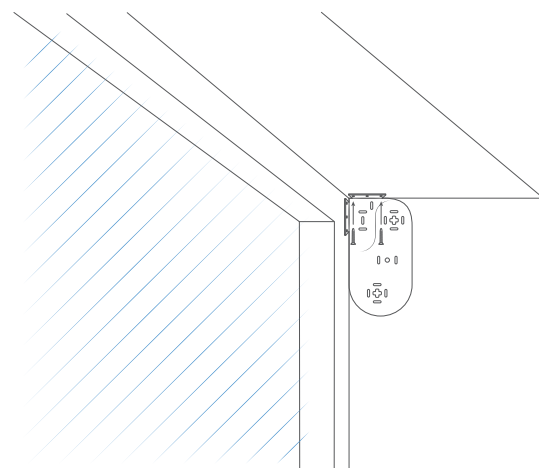


## 2 INSTALLING THE BRACKETS

There are two brackets that will be used to fit your blind, these differ slightly from one another. One has an additional clip which is used to tidy up chains. This is the control side bracket. The other is the pin side bracket.

Position the brackets where you want these fitting, they can be either face fixed or top fixed, keeping them level and making sure that there will be no obstructions when you fit your blind.

With a pencil, mark through the fixing holes you are using. Drill holes on these marks and fix the brackets into place, using rawl plugs if fitting into the wall.



### 3 FITTING THE BLINDS

Take your voile blind and insert the pin mechanism into the lower cross on the pin side bracket (fig i). Then line up the three pegs on the control side mechanism with the lower three holes on the control side bracket, making sure the notch on the middle peg is at the bottom, and insert them. The middle peg will hook onto the bracket and secure it in place (fig ii).

Take your blackout blind and repeat this process on the upper holes of the bracket. Then tidy up the chains on the blackout blind by threading each side of the chain through the appropriate slot on the control side bracket's chain holder (fig iii).

**HEADRAIL SHALL NOT BE INSTALLED LESS THAN 1.5M FROM THE FLOOR**

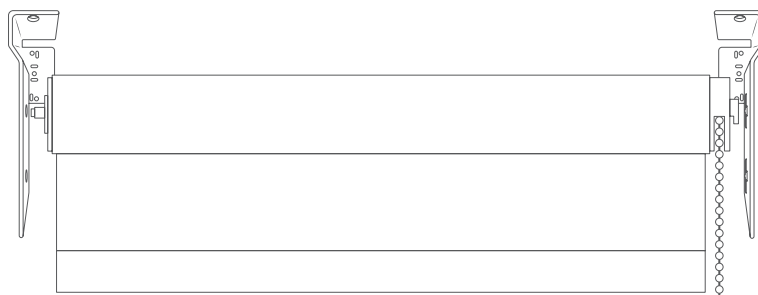


fig i

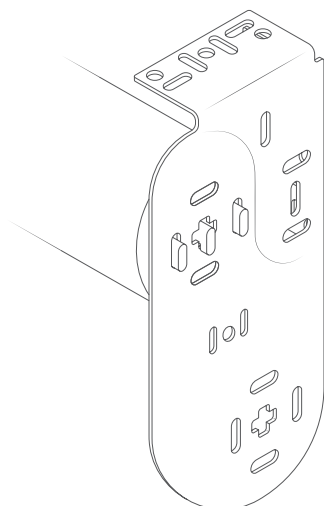


fig ii

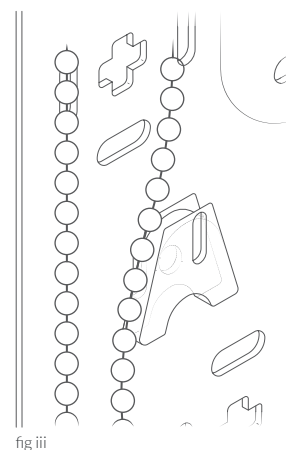


fig iii

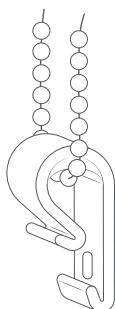
### 4 ATTACHING P-CLIPS

On each of the roller chains you will see an attached P-Clip. If either have come unattached, you can simply thread them back onto the chain.

Take the P-Clip on the voile roller chain and place it against the wall where you want to install it, making sure the chain is taut, and mark this with a pencil. Drill a hole and secure the P-Clip with a screw, using a rawl plug if necessary. The chain should now be under a constant tension.

Repeat this process with the other P-Clip for the blackout roller. Make sure that this P-Clip is slightly offset from the previous and ensure that the chains do not overlap. Once you have completed this, your new blind is fully installed and you can take a step back to admire it.

P Clips should be installed at the maximum distance possible from the control mechanism to prevent the looped chain from becoming slack



### 5 OPERATING YOUR BLIND

Each roller can be operated independently of one another. The voile chain can be used to raise and lower the voile roller and the blackout chain raises and lowers the blackout blind.



#### WARNING

Young children can be strangled by loops in pull cords, chains, tapes, and inner cords that operate the product. To avoid strangulation and entanglement, keep cords out of the reach of young children. Cords may become wrapped around a child's neck. Move beds, cots and furniture away from window covering cords. Do not tie cords together. Make sure cords do not twist and create a loop.

The assembly and installation of this product can be completed by non-professionals, in accordance with current trade and safety standards. Please consult a professional if any doubt exists.