

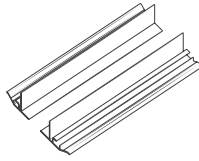
PLEATED PERFECT FIT FITTING INSTRUCTIONS

FITTING COMPONENTS

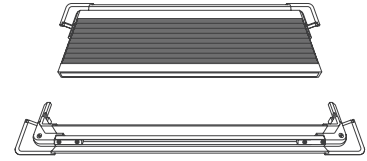
Please check that you have all parts from the kit above. If any of the items are missing, please call 0333 800 2999 or email info@wilsonsblinds.co.uk



Frame clips x4 minimum
(heavier blinds may require more)



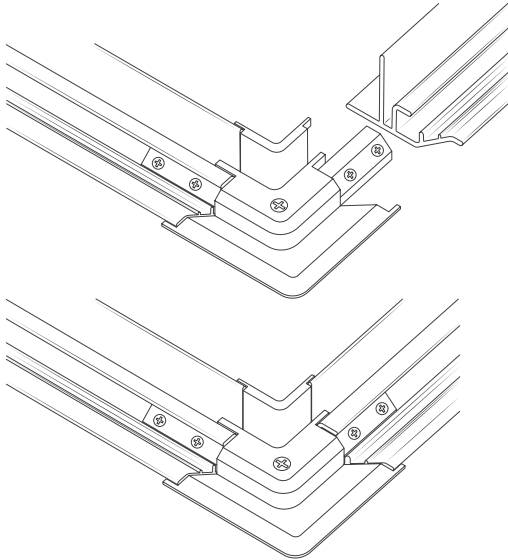
Side frame x2



Top frame with blind
& Bottom frame

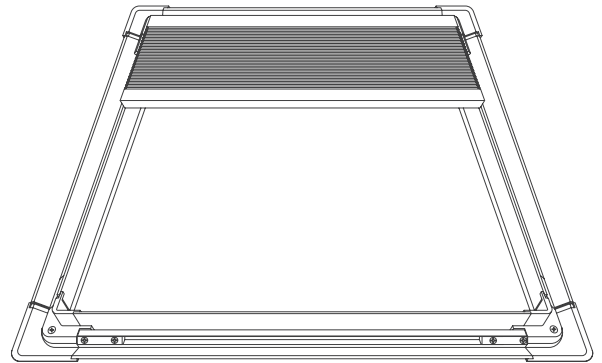
1 Corner Joints

Slot the one of the side frames into the bottom frame, making sure to line up the five small holes at the corners, then screw it into position. Repeat for the other side frame.



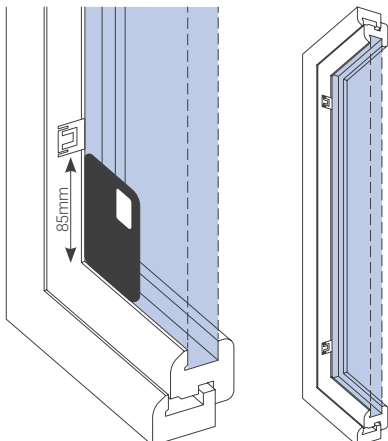
2 The Frame

Position the top part of the frame and place it onto the right and left side frame like before - slotting them into place, aligning, and fixing onto each side frame with the screws provided.



3 The Brackets

Measure 85mm distance from the corner of the frame up the side of the panel. You can do this simply by resting a credit card vertically on the frame. Line up the frame clip with the top of the credit card and then slot the clip into place, pushing the clip into the seal against the glass. Repeat this process for all four corners. For ease of insertion, you can use a lubricant, such as washing up liquid, on the base of each frame clip.



4 Fixing in Place

Once you have the four frame clips fixed into place, carefully slot the perfect blind onto the clips, pressing firmly until you hear a clicking sound.

