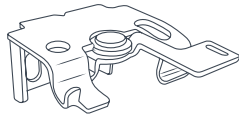




FITTING COMPONENTS



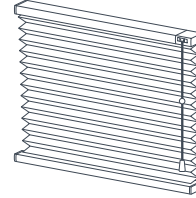
Fixing brackets:
quantity to suit
length of blind



Wood
Screws



Child safety
device



Blind

NOTE

Do not free the blind with a knife or any object that may cause damage to the fabric.



REQUIRED TOOLS



Pencil



Metal tape
measure



Drill



Drill bit



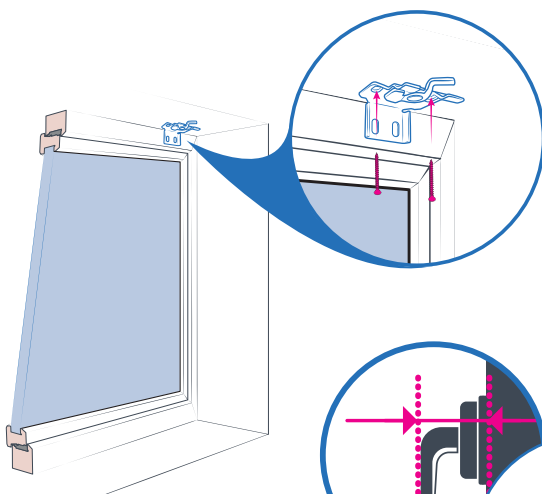
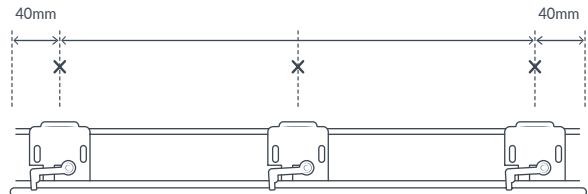
Philips
screwdriver

1

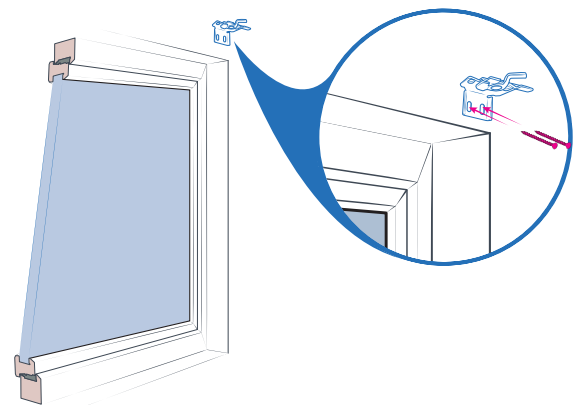
Installing The Brackets

We have sent brackets to allow you to top fix or face fix your blind depending on your choice at the time of purchase. When positioning the brackets allow room for the blind to clear any obstacles such as door or window handles when deployed.

Fix brackets approximately 40mm from each end of the blind. Intermediate brackets should then be spaced evenly between these.



Top Fix



Face Fix

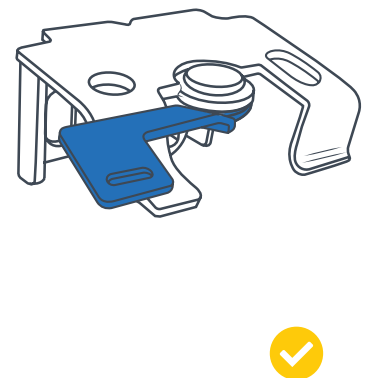
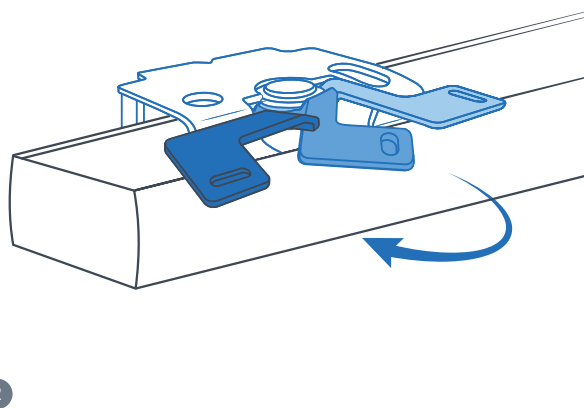
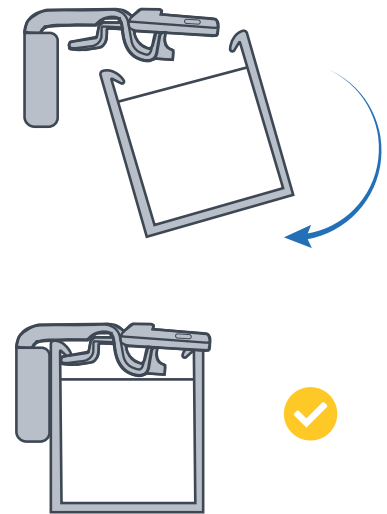
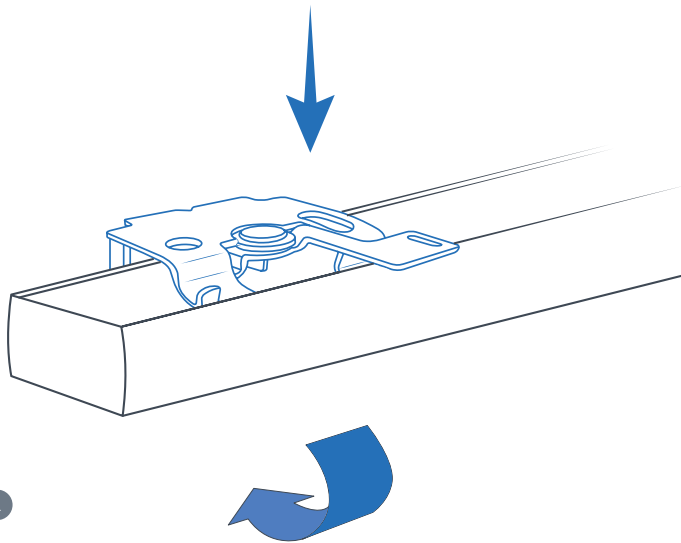
NOTE

Remember to allow room for the blind to clear any obstacles such as door or window handles when deployed.

Fitting The Headrail To The Brackets

- 1 Push swing arm anti-clockwise as far as it will go. Now clip the blind over the bracket. First easing the front lip of the headrail into place.
- 2 Push swing arm clockwise until it locks into place, firmly holding the blind headrail.

The headrail shall not be installed at less than 1.5 m from the floor.



Operating Your Blind

Once installed, use the operating chain at the side to raise and lower your blind.

Child Safety Device (Safety Cleat)

The accumulation device shall be installed as close to the headrail as possible, and no less than 1.5m from the ground.

1. Use double sided tape, or similar, to stick the tensioning device to the wall temporarily while preparing to drill and screw permanently into place.
2. Always wrap all loose cords around the cleat in a figure of 8 pattern.



WARNING

Young children can be strangled by loops in pull cords, chains, tapes, and inner cords that operate the product.

- To avoid strangulation and entanglement, keep cords out of the reach of young children.
- Cords may become wrapped around a child's neck.
- Move beds, cots and furniture away from window covering cords. Do not tie cords together.
- Make sure cords do not twist and create a loop.

The assembly and installation of this product can be completed by non-professionals, in accordance with current trade and safety standards. Please consult a professional if any doubt exists.

