

SIGNATURE CURTAIN POLE FITTING INSTRUCTIONS

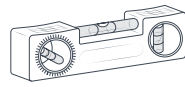
FITTING HARDWARE



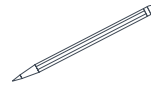
Stepladder



Metal tape measure



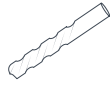
Spirit level



Pencil



Drill



Drill bit



Hacksaw



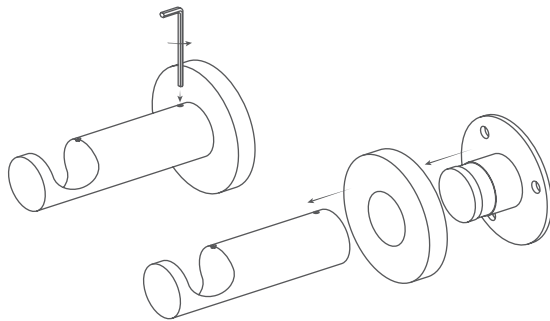
Philips head screwdriver



File

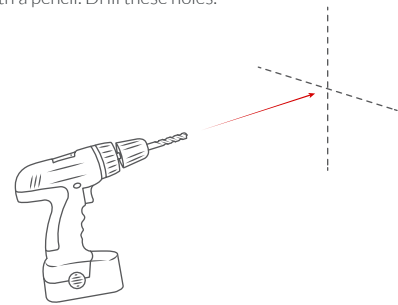
1 PREPARING THE BRACKETS

Your brackets will need to be dismantled, to enable you to fit these. Take small allen key and loosen the grub screw at the very top of the barrel shown in diagram A. The bracket will separate into the back plate - cover plate and barrel.



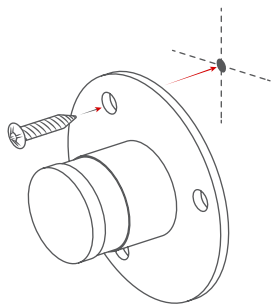
2 BRACKET POSITION

Using a spirit level, position the brackets on the wall and mark the top line. We suggest 5 to 10cm above and to each side of the window recess; to ensure maximum coverage when the curtains are closed. When the brackets are in the correct position, mark the mounting holes with a pencil. Drill these holes.



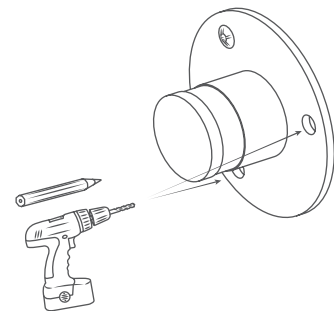
3 MOUNTING THE BACK PLATE

Screw the backplate to the wall.



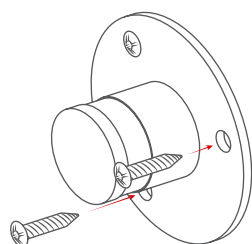
4 REMAINING HOLES

Mark and drill the remaining holes for the back plate.



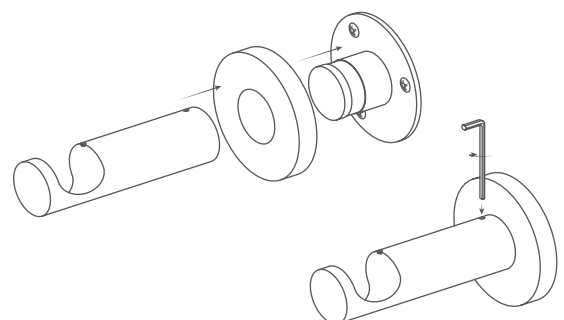
5 SECURING THE BACK PLATE

Secure the back plate with the remaining screws.



6 ASSEMBLING THE BRACKET

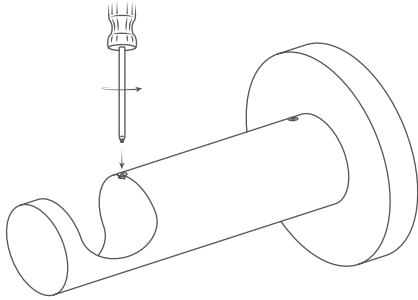
After you have attached the back plate to the wall, you then need to slide the cover plate to cover the back plate, and then attach the barrel of the bracket. Re-tighten grub screw at top of the barrel.



DESIGNER CURTAIN POLE FITTING INSTRUCTIONS

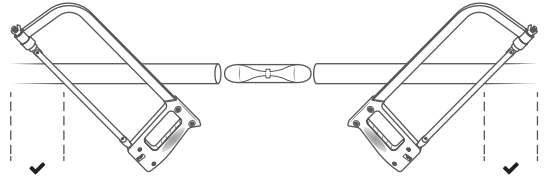
7 BRACKET SCREW

Remove the bracket screw and keep safe.



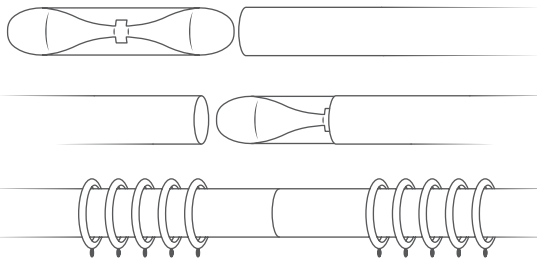
8 ADJUSTING LENGTH

If required, use a hacksaw to trim an equal amount of each pole section. If there are any rough edges, carefully use a file to smooth them out.



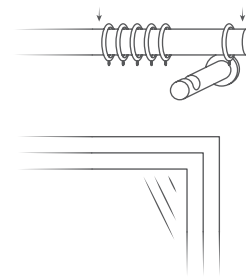
9 POLE JOINER

If the pole is 300cm or 360cm, use the joining piece supplied. This is inserted halfway into one pole, and the other pole is slid onto it.



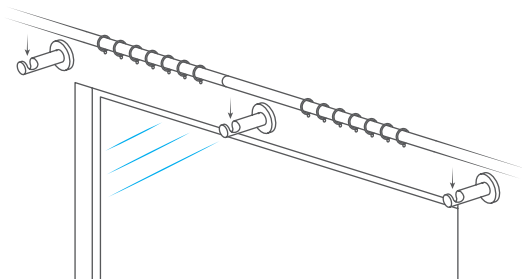
10 CURTAIN RINGS

If the pole is supplied with rings, place them as shown. Do the same for eyelet curtains and tab top curtains.



11 PLACING THE POLE

Place the pole into the brackets.



12 SECURING THE POLE

Secure the pole with the bracket screw.

