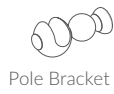
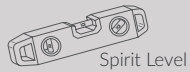


# PRIME CURTAIN POLE FITTING INSTRUCTIONS

## FITTING COMPONENTS

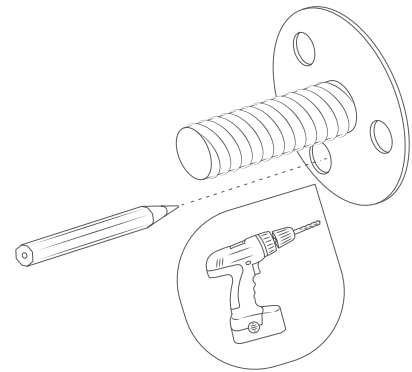


## FITTING HARDWARE

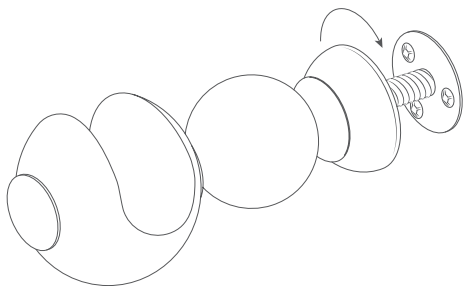


Using a spirit level, position the brackets on the wall and mark the top line. We suggest 5 to 10cm above and to each side of the window recess; to ensure maximum coverage when the curtains are closed.

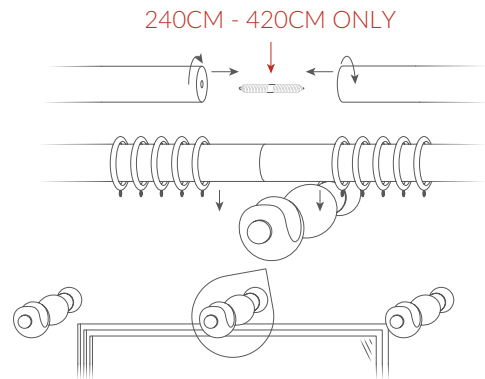
1



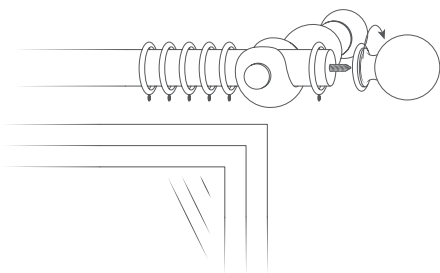
2



3



4



5

