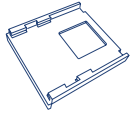


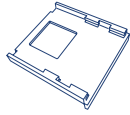


FITTING COMPONENTS

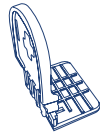
NOTE
Do not free the blind with a knife or any object that may cause damage to the fabric.



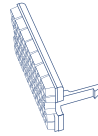
Left Hand Mounting Plate



Right Hand Mounting Plate



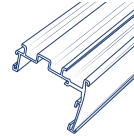
Hinge Leaver Plate X2



Compression Pad x2



Fascia Bracket Cover x2



Roller Blind Frame



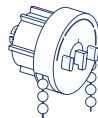
Left Hand Adjustment Block
0, -1, -2, -3



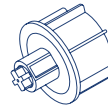
Right Hand Adjustment Block
0, 1, 2, 3



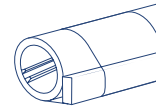
P-Clip



Control-End Mechanism



End Pin Mechanism



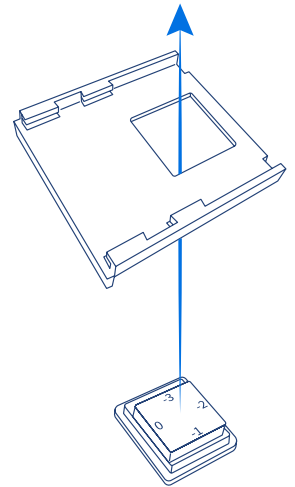
Roller Blind

1

Fitting The Adjustment Block

The adjustment block is used to enable the blind fit to be tightened or loosened if required. Place the adjustment block with the numbers 0, -1, -2, -3 into the left hand mounting plate with the 0 facing outwards to the left.

The adjustment block with the numbers 0, 1, 2, 3 should be placed into the right hand mounting plate with the 0 facing outwards to the right.

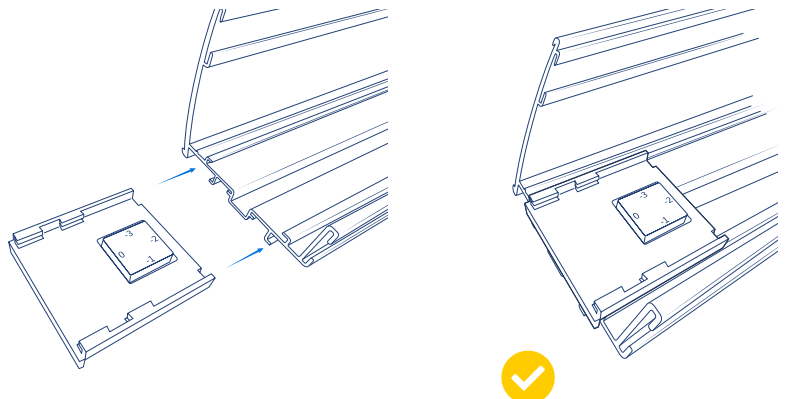


2

Fitting The Mounting Plate To The Headrail

Once the adjustment block is positioned in the mounting plate, slide the mounting plate into the headrail.

The mounting plate is in the correct position once it can slide no further in the headrail.

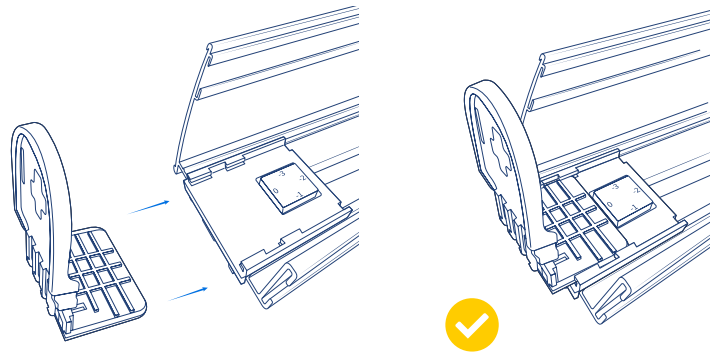


3

Fitting The Hinge Lever

Once the mounting plate is in position in the headrail slide the hinge lever plate onto the mounting plate.

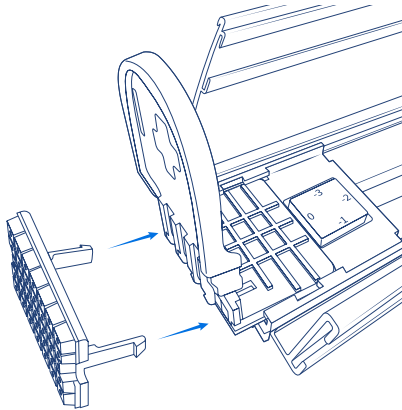
The hinge lever is correctly placed when the hinge lever bottom meets the adjustment block.



4

Fitting The Compression Pad

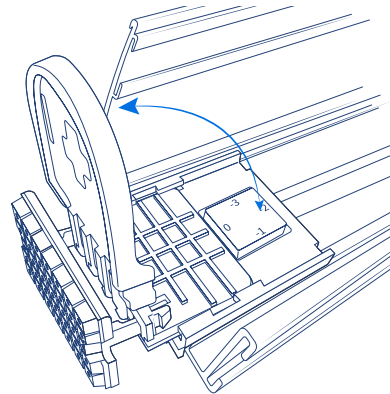
Push the compression pad into the allotted holes on the hinge lever plate, ensuring the padded side faces outwards and the arrow on the inner side faces downward.



5

Completing The Hinge Lever Fitting

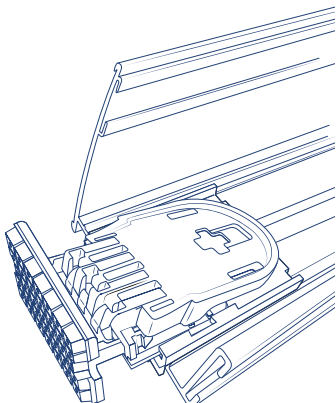
With the compression pad in place, fold down the hinge lever plate to secure each component in place. This is where it will remain until installation of the blind into the window recess.



6

Repeat These Steps

Repeat all the aforementioned steps to complete the addition of adjustment block, mounting block, hinge lever and compression pad to the other end of the blind headrail.

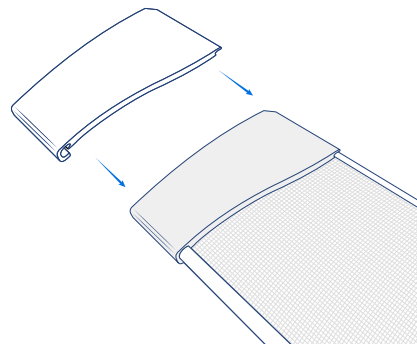


7

Fitting The Fascia Bracket Cover

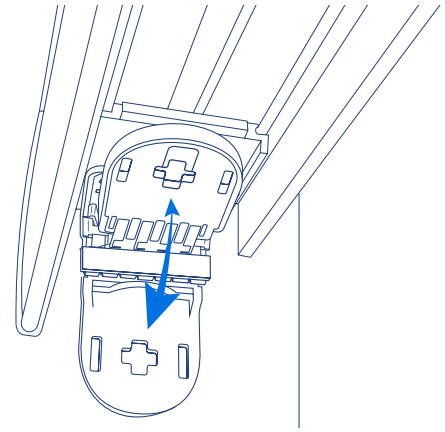
Flip the blind headrail to view the front side. Take the fascia bracket cover and slide into position on the headrail.

The fascia bracket cover can be moved to close the gap between the blind headrail and recess walls, following the installation of the blind to the recess.



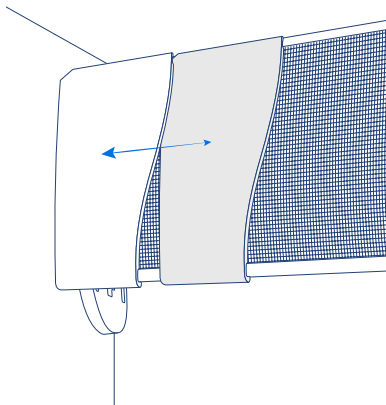
Completing The Hinge Lever Fitting

Take the headrail and place into the window recess, making sure the alignment is level. Keeping one hand on the headrail, use the other to fold down the left hinge lever 90 degrees to apply compression to the recess wall. Repeat this process with the right and hinge lever.



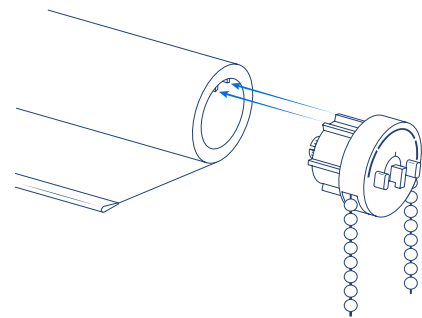
Hide The Hinge Lever

With the headrail now in place, slide the fascia cover towards the recess wall to create a seamless look, covering any view of the hinge lever mechanism.



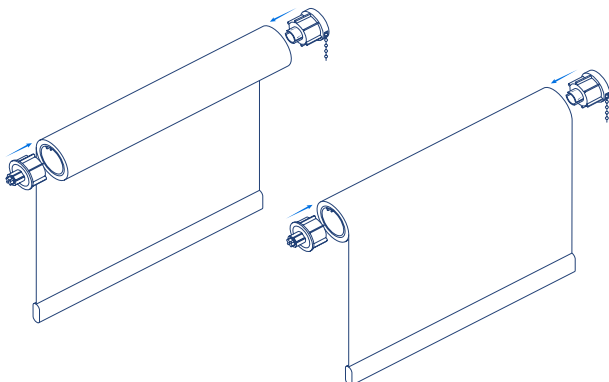
Fitting The Control End Mechanism

On purchase you will have selected the side for the chain control. You will find a slot in the roller blind to correspond with this choice. Line up the control end mechanism to your preferred side and the available slot and push into the blind roll.



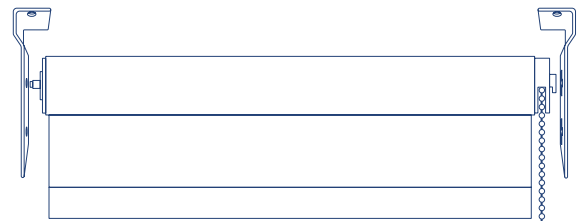
Fitting The Pin End Mechanism

Follow the same process for the pin end mechanism. At this point you can choose whether you would like the blind's roll direction to be in front of the roll or from the rear.



Fitting The Roller Blind To The Headrail

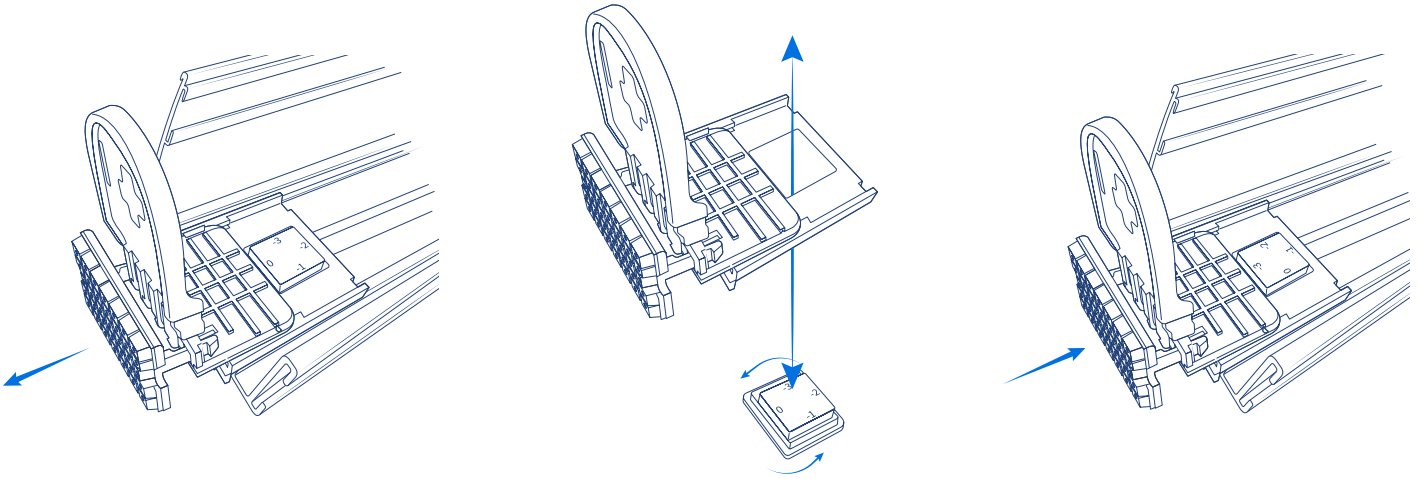
To fit the roller blind to the headrail firstly slide the control mechanism side into the allotted slot. The other side will then easily clip into place in the alternate slot. If no adjustment is required, move to step 14.



If The Blind Is Too Loose/Tight

If the blind is too loose, slide out the right hand mounting plate from the headrail, with the hinge lever still attached. Push out the adjustment block and turn the block so that the number displayed increases. E.g. if currently set to 0, turn so it is set to 1 and re-install.

If the blind too tight, slide out the left hand mounting plate from the headrail, with the hinge lever still attached. Push out the adjustment block and turn the block so that the number displayed decreases. E.g. if currently set to 0, turn so it is set to -1 and re-install.



Operating Your Blind

Once installed, use the operating chain at the side to raise and lower your blind.

P-Clip Installation

The device must be installed at maximum distance possible from the control mechanism to prevent the looped cord/chain from becoming slack.

1. Ensure the control chain is inside the P-Clip.
2. Ensure the chain is taut and that the P-Clip is at the bottom of the loop and that the chains are able to manoeuvre properly.
3. Screw the tensioning device to a wall adjacent to the blind ensuring that the chain remains taut. The chain will be held permanently taut and under constant tension.



WARNING

Young children can be strangled by loops in pull cords, chains, tapes, and inner cords that operate the product.

- To avoid strangulation and entanglement, keep cords out of the reach of young children.
- Cords may become wrapped around a child's neck.
- Move beds, cots and furniture away from window covering cords. Do not tie cords together.
- Make sure cords do not twist and create a loop.

The assembly and installation of this product can be completed by non-professionals, in accordance with current trade and safety standards. Please consult a professional if any doubt exists.

