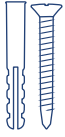




FITTING COMPONENTS



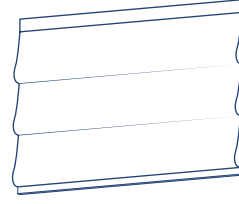
Screws
Rawl Plugs



P-Clip



Adjustment
Tool



Blind

NOTE

Do not free the blind with a knife or any object that may cause damage to the fabric.



REQUIRED TOOLS



Pencil



Drill



Drill bit

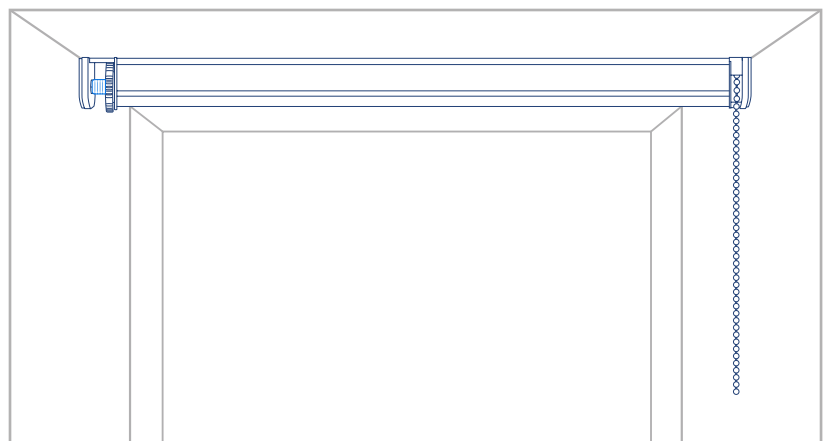


Philips
screwdriver

1

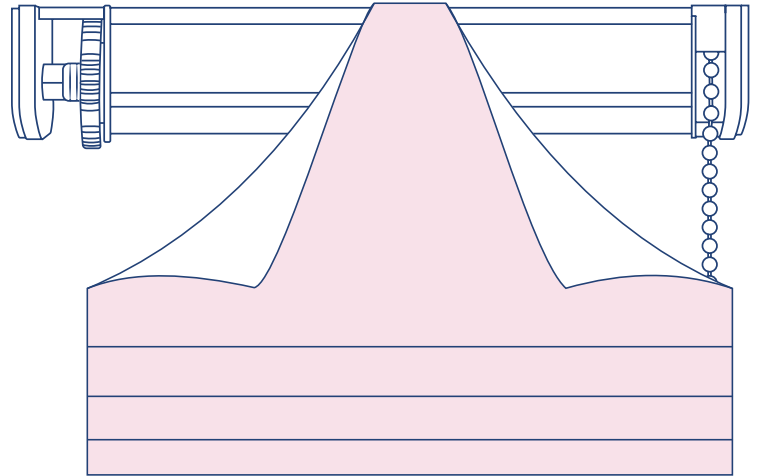
Installing Installing Your No-Drill Roman Blind (Recess Fit)

Designed specifically for recessed windows, our No-Drill Roman Blinds offer a secure, drill and screw-free fit using a simple plunge-and-lock mechanism.



Before You Start

Unpack your blind on a clean, dry surface. The fabric will already be attached to the headrail. Gently pull back the fabric at both ends of the blind, leaving the centre attached - this gives you space to hold the headrail without creasing or marking the material.



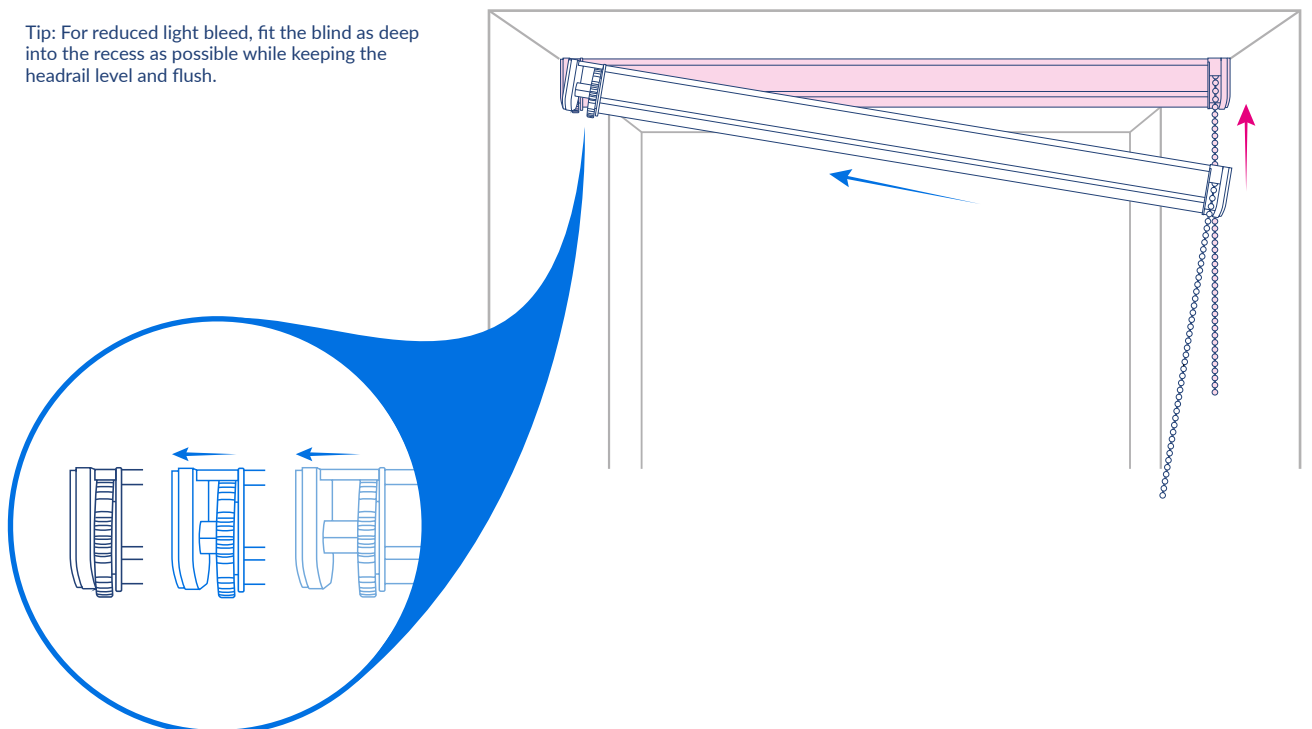
Position The Blind In The Recess

Lift the blind into the recess, plunge end first. Hold the headrail only where the fabric is folded back to avoid damage.

As you position the blind, ensure the top of the headrail sits flush with the top of the recess. This gives the strongest hold and a clean, professional finish.

Before fixing in place, check that the blind will draw up and down without colliding with window handles or any other obstructions.

Tip: For reduced light bleed, fit the blind as deep into the recess as possible while keeping the headrail level and flush.



Level And Lock The Blind

Keeping a firm grip on the headrail, adjust it until the blind is perfectly level and still flush to the top.

Rotate the large cog on the plunge end to begin locking the blind in place:

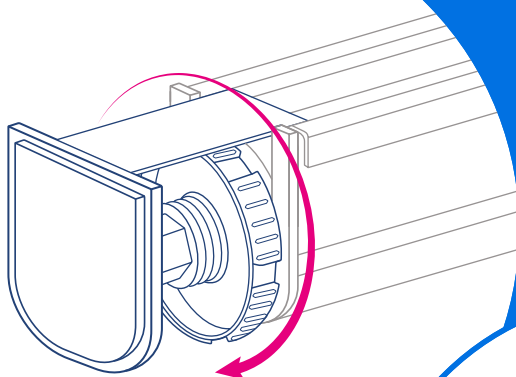
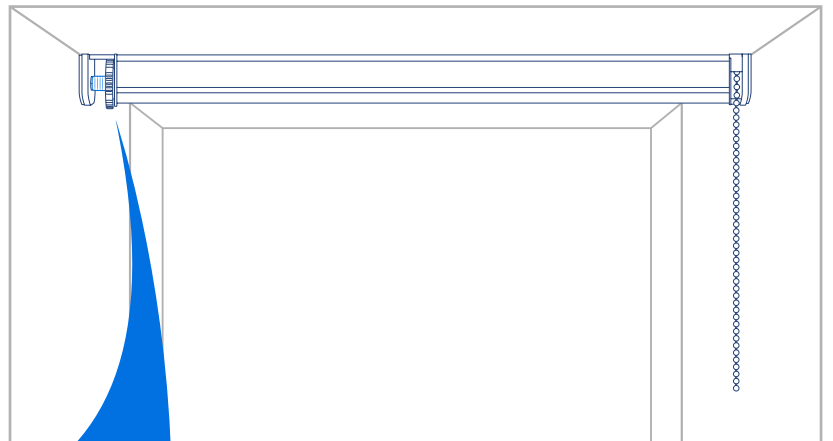
Right Chain Control:

If your controls are on the right rotate the cog towards you.

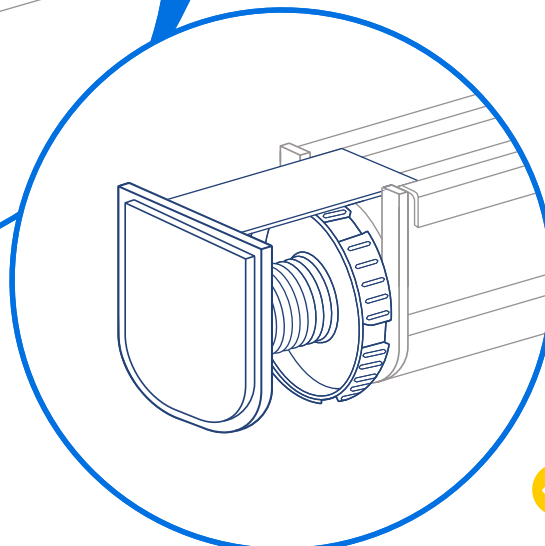
Left Chain Control:

If your chain controls are on the left rotate the cog towards the window.

This will tighten the mechanism securely against the recess wall.



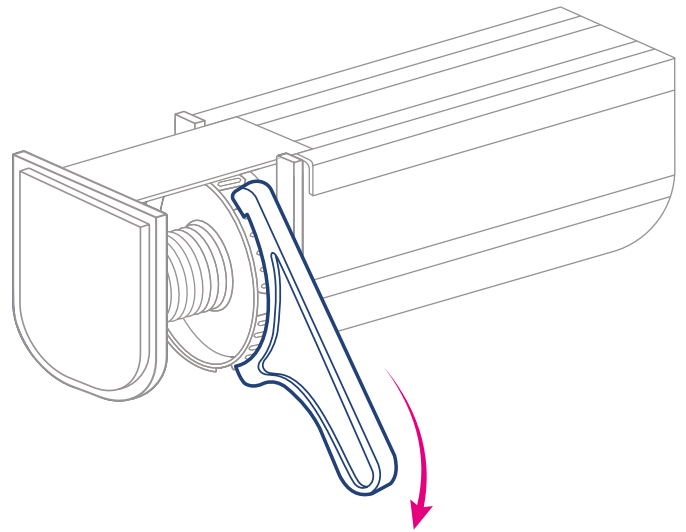
Right Chain Control



Secure With The Adjustment Tool

Your blind includes a small tensioning tool. Place it over the cog mechanism and turn to fully tighten, ensuring the blind is firmly locked and remains level and flush.

Once secured, reattach the fabric to the headrail, smoothing it back into place.



P-Clip Installation

For child safety, the P-Clip must be installed correctly to keep the control chain permanently taut and free from slack.

1. Your control chain is supplied already looped through the P-Clip. Position the clip at the bottom of the chain loop, ensuring the chain stays taut while still moving freely.
2. Hold the P-Clip against the wall at the furthest point possible from the control mechanism to remove any remaining slack.
3. Mark the screw hole position, drill using a suitable bit, and insert the provided wall plug.
4. Screw in the P-Clip, ensuring the chain is still fully taut and screw the clip securely into place.

Once fitted correctly, the chain will remain under constant tension, significantly reducing the risk of entanglement.



Operating Your Blind

Once installed, use the operating chain to raise and lower your blind smoothly. Always guide the chain gently, avoiding sharp pulls to protect the mechanism and ensure long-term performance.



WARNING

Young children can be strangled by loops in pull cords, chains, tapes, and inner cords that operate the product.

- To avoid strangulation and entanglement, keep cords out of the reach of young children.
- Cords may become wrapped around a child's neck.
- Move beds, cots and furniture away from window covering cords. Do not tie cords together.
- Make sure cords do not twist and create a loop.

The assembly and installation of this product can be completed by non-professionals, in accordance with current trade and safety standards. Please consult a professional if any doubt exists.



Releasing The Blind

To remove the blind, grip the headrail firmly and rotate the large cog on the plunge end in the opposite direction to how it was tightened:

Right Chain Control:

If your chain controls are on the right, rotate the cog towards the window.

Left Chain Control:

If your chain controls are on the left, rotate the cog towards you.

This will release the tension. Once loosened, gently slide the blind out of the recess.

