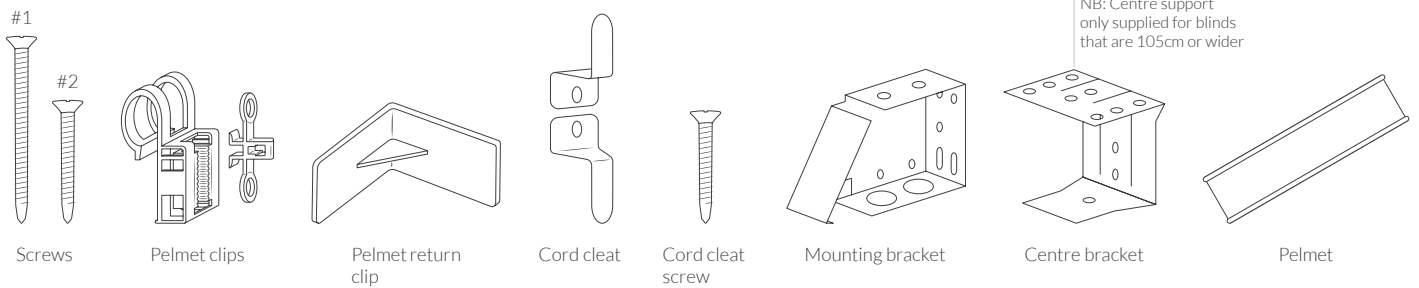


# WOODEN BLIND FITTING INSTRUCTIONS

## FITTING COMPONENTS



## FITTING HARDWARE

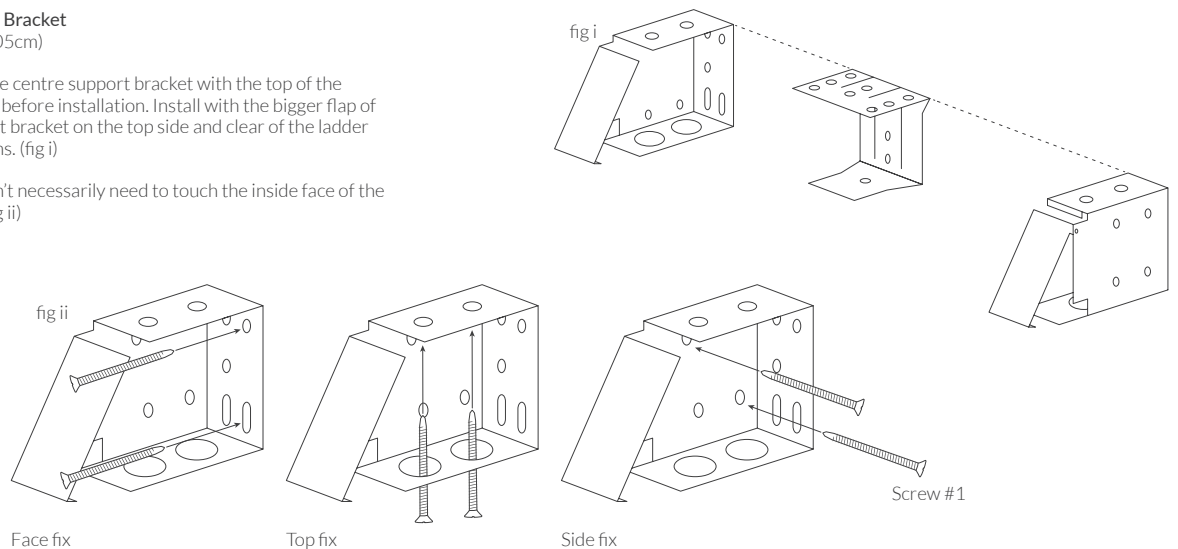


## 1 MOUNTING THE BRACKETS

### Mounting Centre Bracket (for blinds over 105cm)

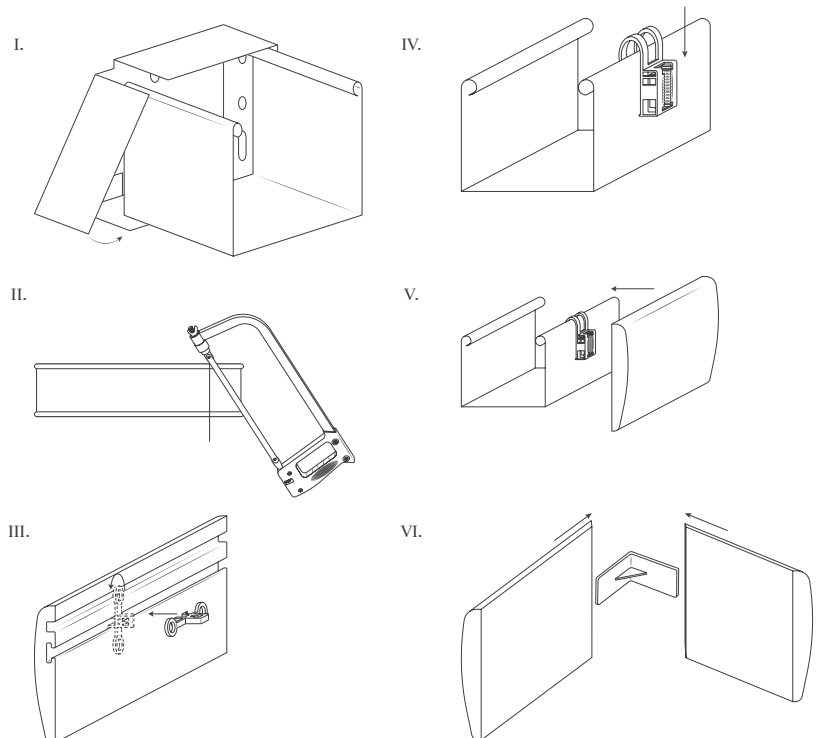
Align the top of the centre support bracket with the top of the mounting bracket before installation. Install with the bigger flap of the centre support bracket on the top side and clear of the ladder cord/tape positions. (fig i)

The bracket doesn't necessarily need to touch the inside face of the window frame. (fig ii)



## 2 SET UP THE PELMET

- I. Push rail into brackets, then press gate to close brackets.
- II. You may need to cut down your pelmet. Do this by measuring to the correct length and cutting with a hacksaw.
- III. Press the pelmet clips on the back side of the pelmet and turn to a vertical position to secure.
- IV. Hook the pelmet clips on to the headrail, making sure they are all aligned.
- V. Using the clips, you can now connect the pelmet to the headrail.
- VI. **For Outside Mount**  
Slide one end of the pelmet return bracket on to the pelmet and push firmly. Once it is secure, slide the other end of the pelmet return bracket onto the pelmet return.



### 3 OPERATING CORDS

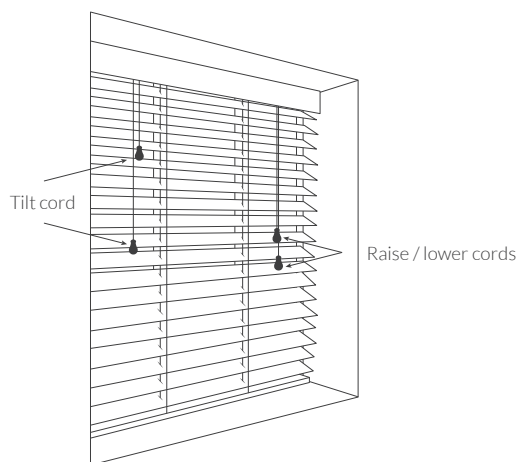
Always tilt blind horizontally before raising / lowering to extend the life of the wooden blind.

**To lower blind:** Move cord to the left, pulling down gently until cord lock releases.

**To raise blind:** Pull cord downwards until blind reaches desired height.

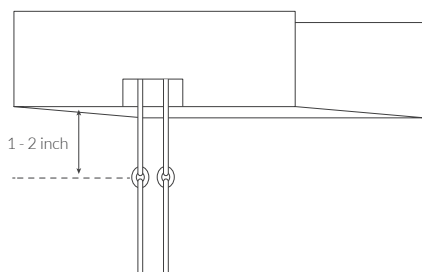
**To lock cords:** Pull cord right and release. Cord will lock automatically.

**To tilt:** Operate tilt cords as required.



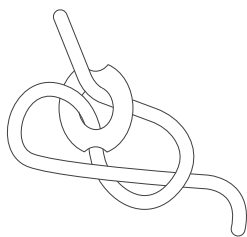
### 4 MAKE YOUR WOODEN BLINDS CHILD SAFE

1. Install blind as directed above, making sure headrail is securely fastened. Lower blind to maximum desired length and lock it into place.
2. Measure the distance from headrail to cord-stops. If cord-stops are 1 to 2 inches below the headrail, no further adjustments are needed and your wooden blind is ready to use.



3. If cord-stops are not 1 to 2 inches below headrail, loosen (but do not untie) the knot surrounding the cord-stop.
4. Push both the cord-stop and the loosened knot toward the headrail until the cord-stop is 1 to 2 inches below the headrail.

Hold cord-stop in place and pull firmly on pull cord to re-tighten knot. Repeat steps 2, 3 & 4 for each cord-stop.



When the blind is raised, install the safety cleat and tie up the excess cord.

**Note:** The use of a cord-cleat is necessary to fully utilize the safety feature of the cord-stops.

**Reduce risk of strangulation to infants and toddlers. Position safety cord-stops before using blinds**

The cord length on all blinds will be as follows:

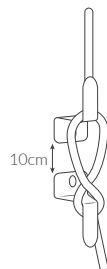
If the full drop of your blind is less than 2.5 metres, the cord will be 1 metre long. If the full drop of your blind is over 2.5 metres, the cord will be 2/3 the length of the blind.

If you require a longer cord than is standard, please call us to discuss, before ordering. Please be aware that we will need the installation height of your blind (from the top of the fitting location, down to the floor). There are still restrictions on the length of the cord.



#### Breakaway Consolidator

Breakaway consolidators are provided on all blinds. The consolidator will come pre-attached to your blind. If any weight is placed on the cords the breakaway consolidator will break apart. In the event of this, check that it is not damaged, re-insert the free cords and click the sections back together.



#### Child Safety Device (Safety Cleat)

The device should be installed as close to the headrail as possible. Each section of the safety device must be at least 10cm apart.

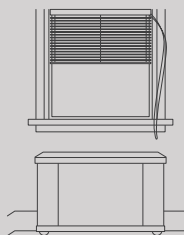
1. Use double sided tape, or similar, to stick the tensioning device to the wall temporarily while preparing to drill and screw permanently into place.
2. Always wrap all loose cords around the cleat in a figure of 8 pattern.

**Warning:** The assembly and installation of this product can be completed by non-professionals, in accordance with current trade and safety standards. Please consult a professional if any doubt exists

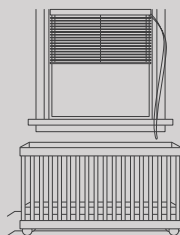
The headrail shall not be installed at less than 1.5 m from the floor.



Keep blind cords, chains and tapes out of reach of children by using the correct child safety device. Ensure your child cannot access the window blind by climbing onto furniture. These measures will help to prevent entanglement and strangulation.



Do not place sofas, chairs, tables, shelves, bookcases or other items of furniture beneath or near to a window blind.



Do not place your child's cot, bed, highchair or playpen beneath or near to a window blind.



Ensure all cords, chains and tapes are properly secured and out of reach.